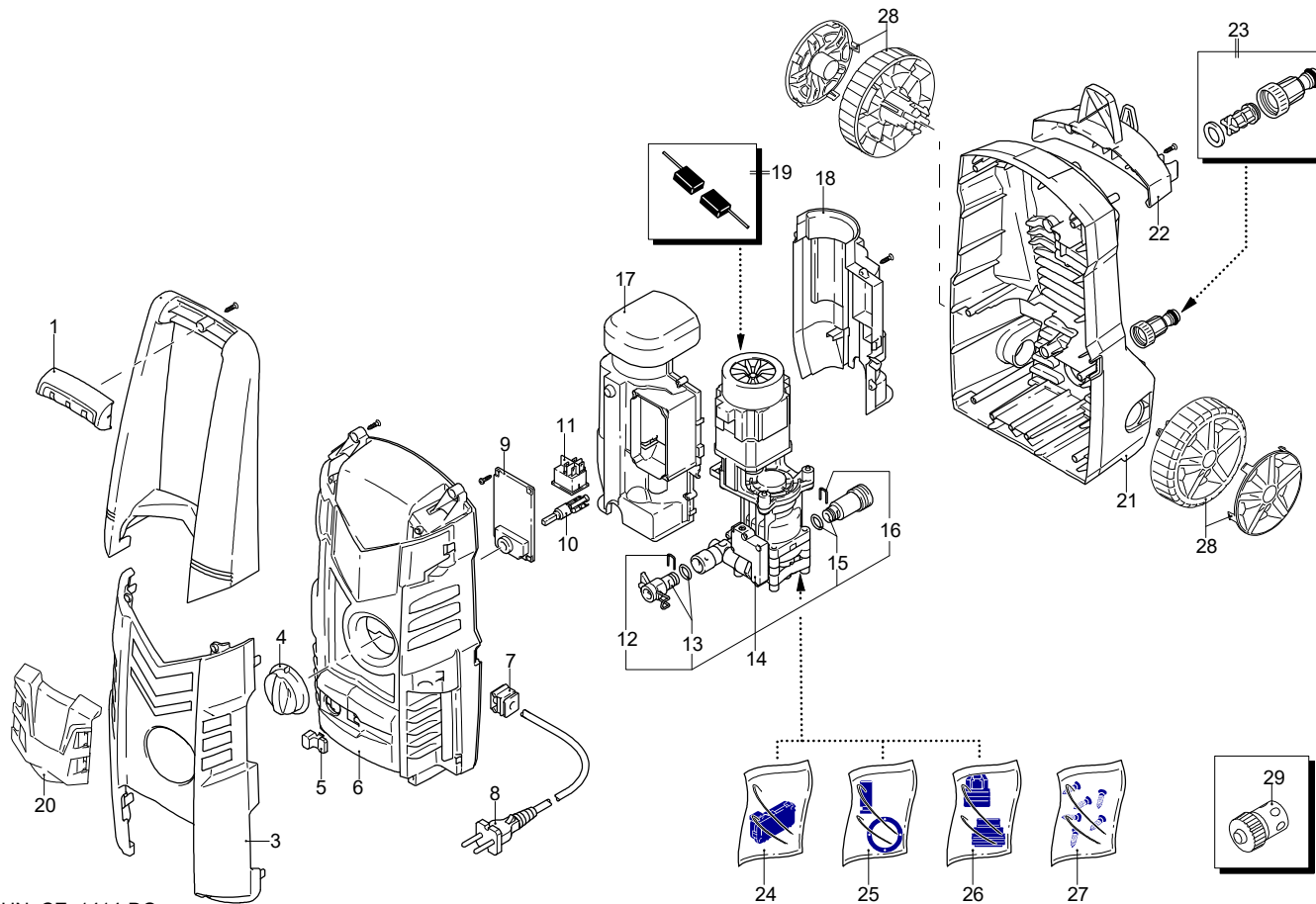




Model 143

220 V - 60 Hz

EK





UN_CE_1414-DQ

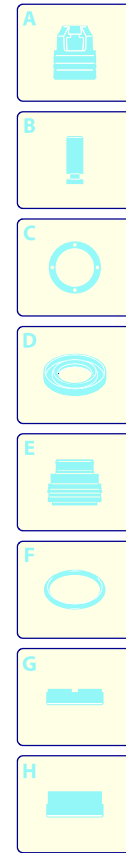
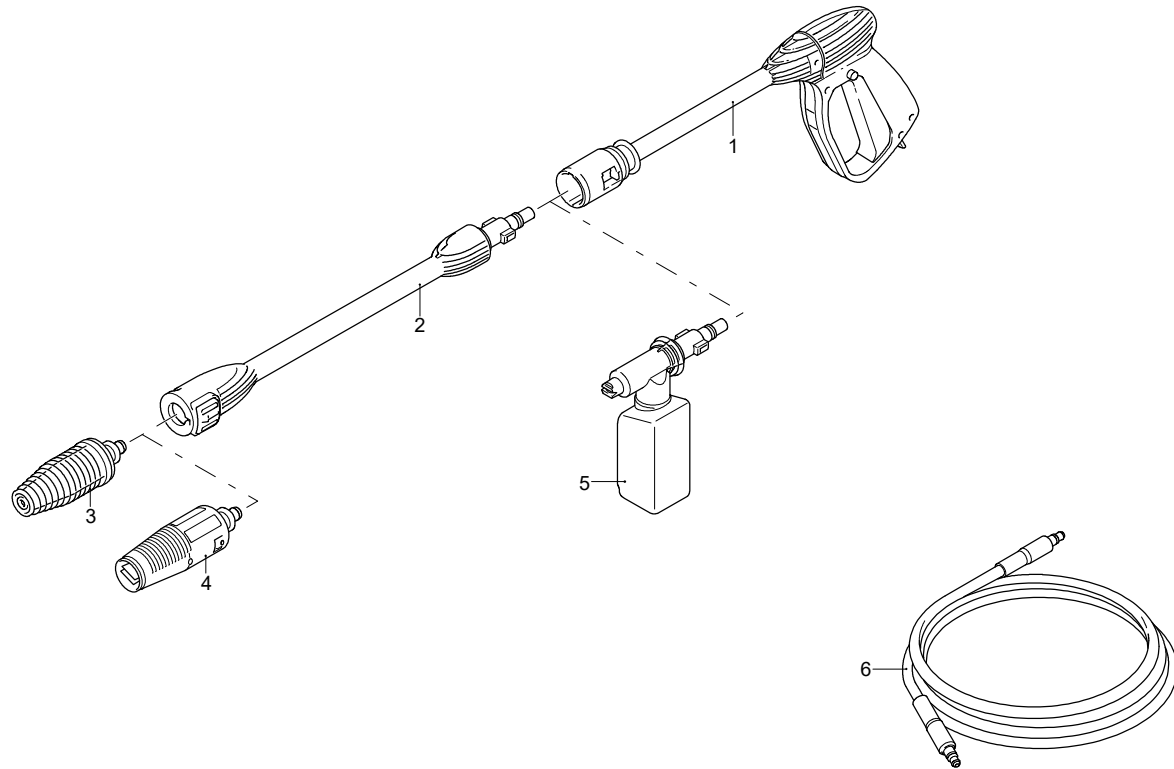
| Validity | Pos. | Code | Description | Q |
|----------|------|---------|------------------------|---|
| | 1 | 4100450 | Knob | 1 |
| | 2 | 4100210 | Handle | 1 |
| | 3 | 4100151 | Guard | 1 |
| | 4 | 4100470 | Knob | 1 |
| | 5 | 4100181 | Lever | 1 |
| | 6 | 4100140 | Casing | 1 |
| | 7 | 3080580 | Cable gland | 1 |
| | 8 | 4101890 | Cable | 1 |
| | 9 | 3980130 | Cover | 1 |
| | 10 | 3980160 | Pin | 1 |
| | 11 | 3081450 | Switch | 1 |
| | 12 | 3500090 | Fork | 1 |
| | 13 | 4101200 | Delivery kit | 1 |
| | 14 | 4101190 | Electric pump assembly | 1 |
| | 15 | 3480120 | Suction kit | 1 |
| | 16 | 3480160 | Fork | 1 |
| | 17 | 3980140 | Conveyor | 1 |
| | 18 | 3980150 | Conveyor | 1 |
| | 19 | 3480170 | Brush kit for motor | 1 |
| | 20 | 4100460 | Guard | 2 |
| | 21 | 3980010 | Base | 1 |
| | 22 | 3980030 | Guard | 1 |
| | 23 | 3082130 | Water coupling kit | 1 |
| | 24 | 3480130 | TSS kit | 1 |
| | 25 | 3480150 | Piston + seals kit | 1 |
| | 26 | 3480140 | Valves + seals kit | 1 |
| | 27 | 4100820 | Screw kit | 1 |
| | 28 | 3980181 | Wheel | 1 |
| | 29 | 3082741 | Quick coupling | 1 |



Model 143

 220 V - 60 Hz

 EK



| Validity | Pos. | Code | Description | Q |
|----------|------|---------|--------------------|---|
| | 1 | 3082283 | Gun | 1 |
| | 2 | 4100771 | Extension | 1 |
| | 3 | 4101170 | Lance head | 1 |
| | 4 | 4100790 | Lance head | 1 |
| | 5 | 3480200 | Tank | 1 |
| | 6 | 3500350 | High pressure hose | 1 |